

# SAI 1/2 C

## SAIL Tap Range Sail Basin Taps Chrome



Specification	
Style:	Contemporary
Product Type:	Bathroom taps
Finish/Colour:	Chrome
Main Construction Material:	Brass
Mount Type:	Deck
Handle Type:	Paddle
Connection Inlet:	1/2" BSP
Number of Tap Holes Required:	2
Valve/Cartridge Type:	1/2" Ceramic Disc Valve
Plumbing System Suitability	All
Working Pressure Range:	Min. 0.2 bar - Max. 5.0 bar
Maximum Hot Water Temperature: °c	65
Maximum Dynamic Pressure: (bar)	5
Maximum Static Pressure: (bar)	10
Flow Type:	Single Flow
Flow Rate: (l/min @ 3 bar)	33.3
Connection Outlet:	M24 Flow Straighteners
Isolation Included:	No

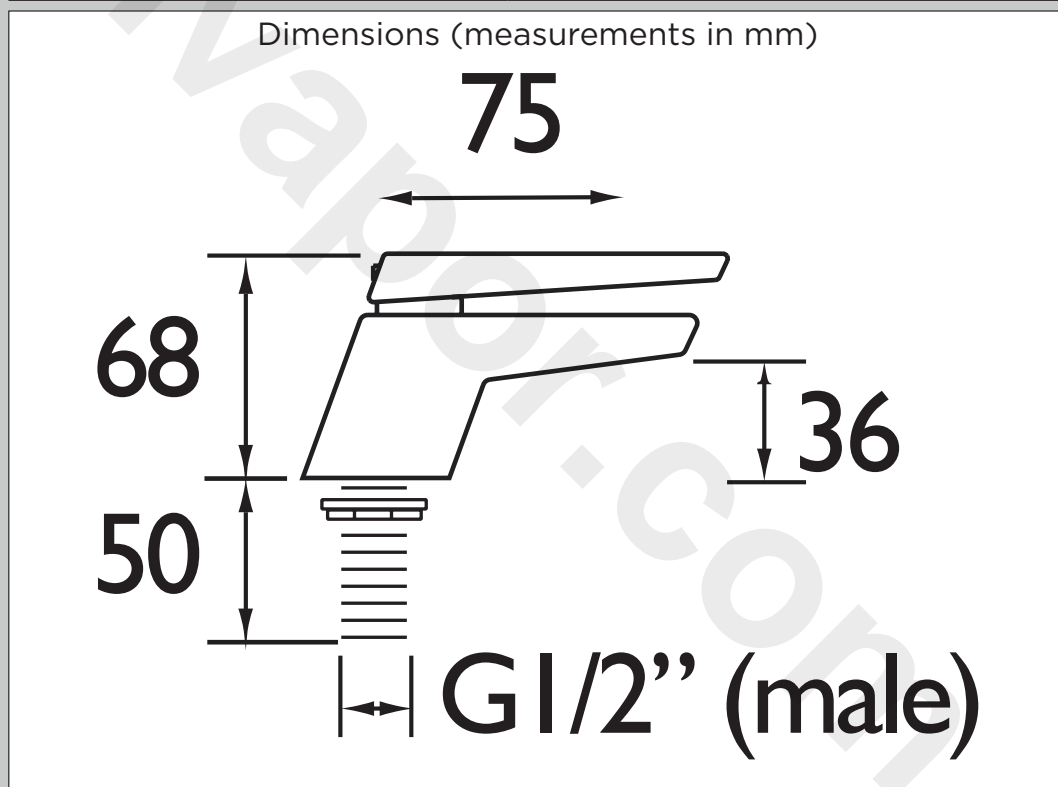
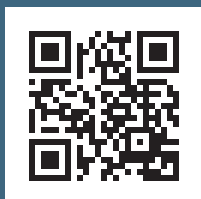
### Features:

- Supplied with metal handles
- Supplied with metal backnuts
- Chrome plated to BS EN 248

### Product Certifications:



For more products, visit our website:



Flow Rates (l/min)						
System Pressure (bar)	0.2	0.5	1	2	3	5
SAI 1/2 C	8.8	13.8	19.7	27.4	33.3	42.9

TECHNICAL  
DATA  
SHEET



**BRISTAN**  
TAPS & SHOWERS

D4